

Are-Inc. SILOspray V1.01

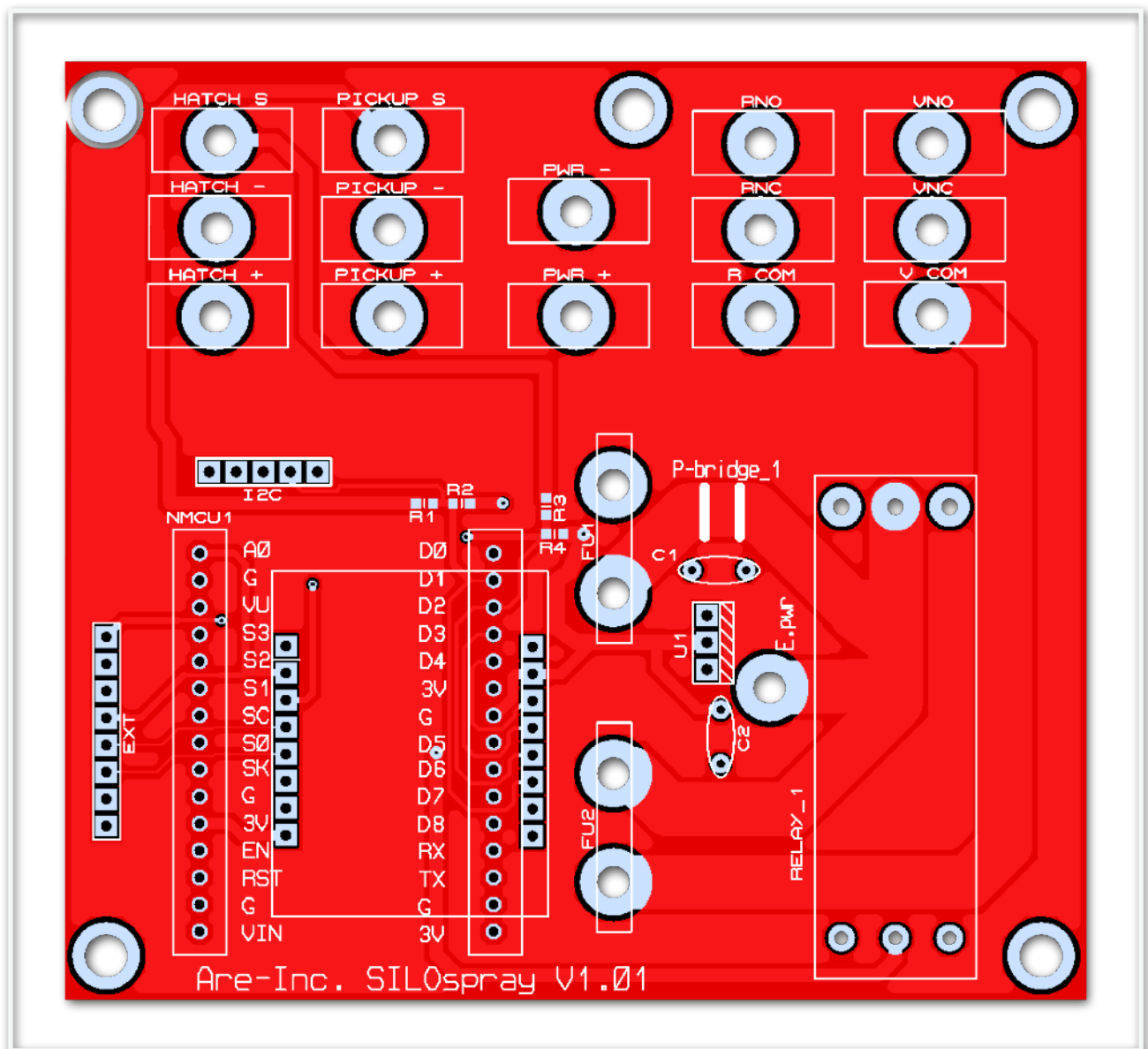
Main carrier board for the SILOspray system.

Tech. details:

MSU.	NodeMCU (Esp8266 12E) or D1 mini (Esp8266)
Relay module.	5volt Switching relay module with optocoupled signal chain.
Power	LM7805 1amp TO220

External headers:

I2C	Header for external I2C controlled accessories.
EXT	Header with serial, analog input and power 3,3volt and 5volt.

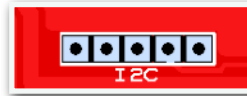


BOARD EXPANSION HEADERS



8 7 6 5 4 3 2 1

- 1 = +5 volt
- 2 = Ground
- 3 = +3,3 volt
- 4 = Analogue input (0-1volt)
- 5 = D5 (Pump/Valve relay)
- 6 = D6
- 7 = RX (Serial)
- 8 = TX (Serial)



5 4 3 2 1

- | MCU | I2C |
|---------------|-------|
| 1 = D2 | SDA |
| 2 = D1 | SCL |
| 3 = D3 | FLASH |
| 4 = +3,3 volt | |
| 5 = Ground | |



BOARD COMPONENTS

FU1	Micro autofuse (See Manual for Sizing)
FU2	Micro autofuse (See Manual for Sizing)
C1 - C2	100nf
R1, R3	xxxKohm (See documentation for the
R2, R4	xxxKohm Voltage divider calculation)
U1	L78S05CV 5volt 2ampere LDO regulator.